



## CHIPBLASTER CC 34K SA CHILLER

### COOLANT CHILLER

Excessive heat in the machine-tool cutting zone can lead to excessive tool wear, less accurate machining and longer production times. The CHIPBLASTER CC 34K SA Chiller provides an absolute temperature set point and ambient temperature tracking.

- 10 kW (34,000 BTU)
- High Efficiency Scroll Compressor
- Sealed System
- Reliable



### PERIPHERAL VISION

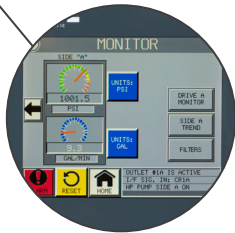
For CNC machine tool peripherals, it's **LNS**, then all the rest



# CHIPBLASTER CC 34K SA CHILLER

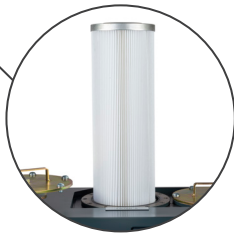


The reliable cooling of machines, lubricants and tools is crucial for high quality products in many industries. The CHIPBLASTER CC 34K SA Chiller provides you with exactly the right solution for your individual application.



### USER FRIENDLY HMI

The user friendly touch screen interface provides well structured and easily readable menus, allowing the user to easily change unit settings, and monitor various operations in one central location.



### EASY MAINTENANCE

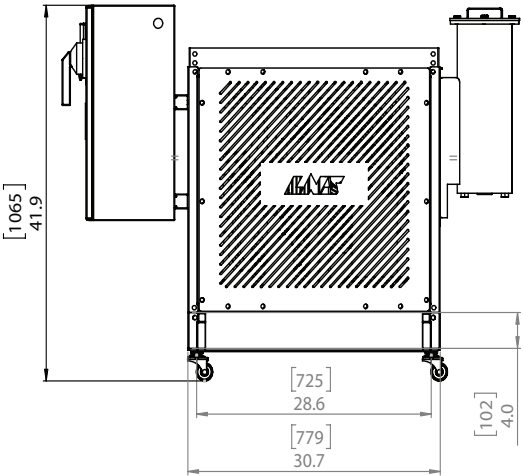
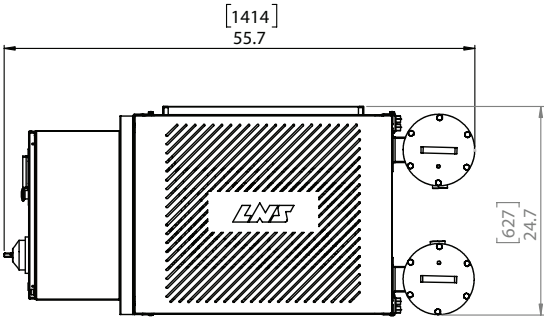
The CHIPBLASTER CC 34K SA Chiller features a double cartridge filter in parallel with filtering sizes down to 10 or 5 microns and multidirectional casters that allow easy mobility of the unit for installation and maintenance.

### HIGH EFFICIENCY SCROLL COMPRESSOR

- Fewer moving parts
- Less torque and vibration
- Smoother, quieter operation

### SEALED SYSTEM

- All brazed connections
- Factory sealed for leak free operation
- No need to recharge system



### PERIPHERAL VISION

Peripherals, by definition, are an outer boundary. But at LNS, that boundary is where we put our focus. Because here's the secret—with LNS peripherals on your side, you can turn your attention to what you do best—making chips and making money.

That's why we do what we do. Five product categories and industry-best expertise means no company on earth can match the passion and vision we have for machine tool peripherals.



LNS ChipBLASTER  
 13605 S Mosiertown Rd  
 Meadville, PA 16335

814-724-6278  
 highpressure-sales@chipblaster.com  
 www.LNS-northamerica.com